

## JTVC-1380P Vertical Machining Center

### Product descriptions and features

#### ■ Features

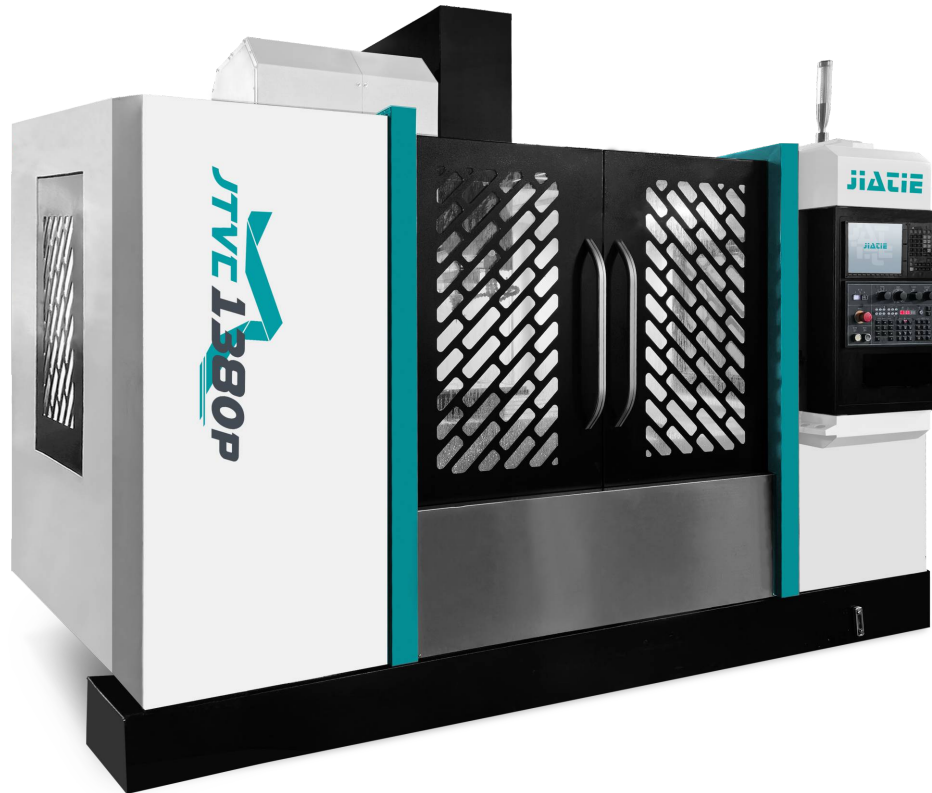
- Years of machine design experience and finite element FEM analysis, exclusive structure design, effectively ensures the machine entire dynamic performance.
- 3 axes adopt linear guide design, low friction, low noise, ensures machine flexibility and stability. This makes the machine keeps accurate machining during faster moving.
- Arm type tool magazine capacity is 24 tools, stable and reliable, it is the necessity of product machining.
- Adopt BT40 high-rigidity tool connector, equip with powerful motor, cutting performance is better.
- Two lateral slops to rear side chip removing, cutting fluid rear side placing design, humanized and high efficiency.
- Excellent human-machine interaction design, the entire machine is fully sealing protection, convenient for operation.

#### ■ For Material

copper,aluminum,castingiron, steel,stainless steel, etc

#### ■ Applied Range

component mass production in the industries of automotive accessories,aviation and aerospace,3C products,industrial automation,communication,etc



## Parameters

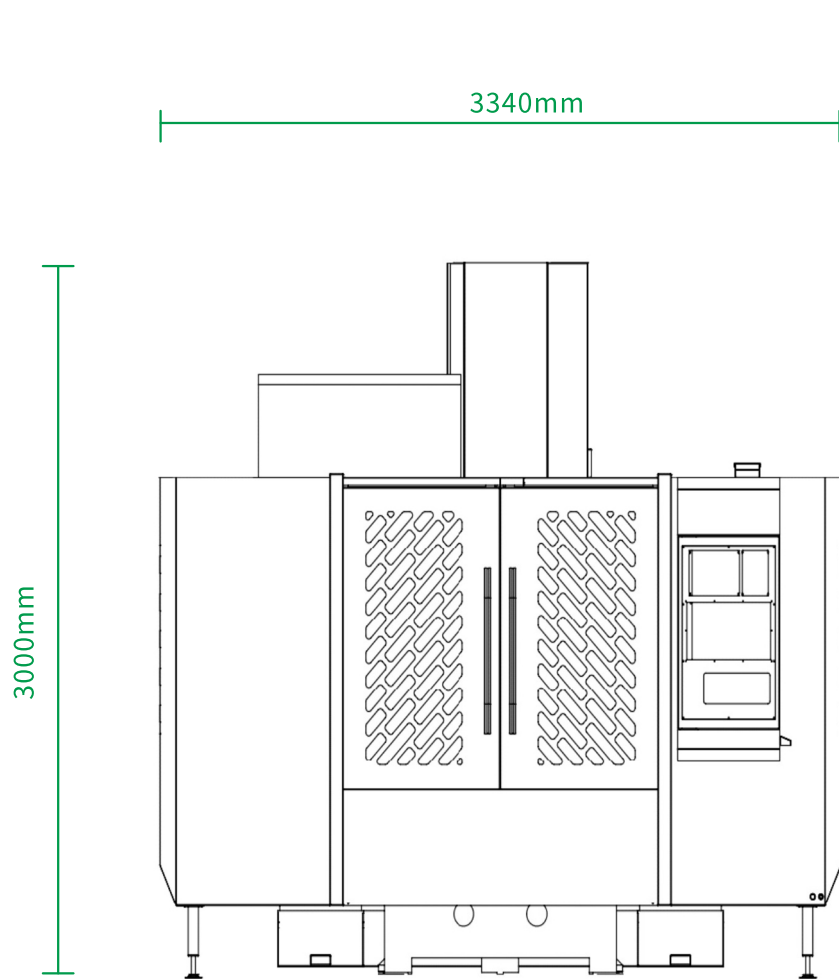
Item	Parameter
X/Y/Z travel	1300/800/700mm
Work table dimension	1400x800mm
Max load of worktable	800kg
Spindle power/Max spindle speed	18.5kW/8000rpm
Spindle interface/taper	BT40
Rapid traverse rate	36m/min
Cutting feed rate	20m/min
Positioning accuracy	0.008mm/300mm
Repeatability	0.005mm
Machine net weight	7600kg
Machine net dimension	3340x2740x3000mm
Power supply	3-PH AC380V ±5% (50Hz)

## Standard Configuration

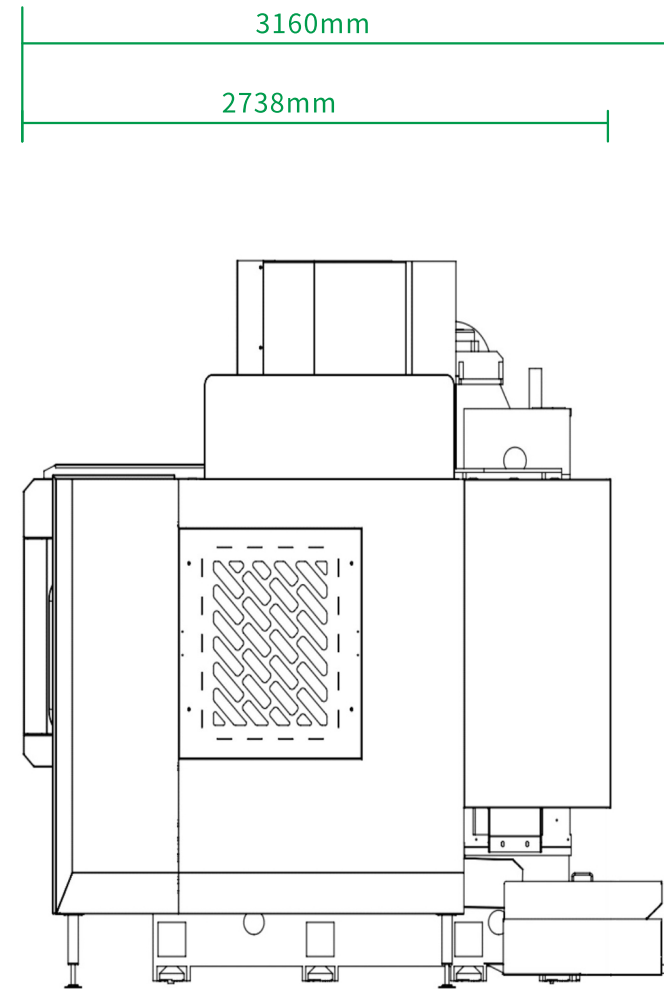
- High speed CNC controller
- High speed spindle
- AC servo motor
- Hand Wheel
- Spindle cooling system

## Optional Accessories

- Oil mist collector
- Voltage stabilizer



Front



Left