

JTGK-1280G CNC High Speed Machine

Product descriptions and features

■ Features

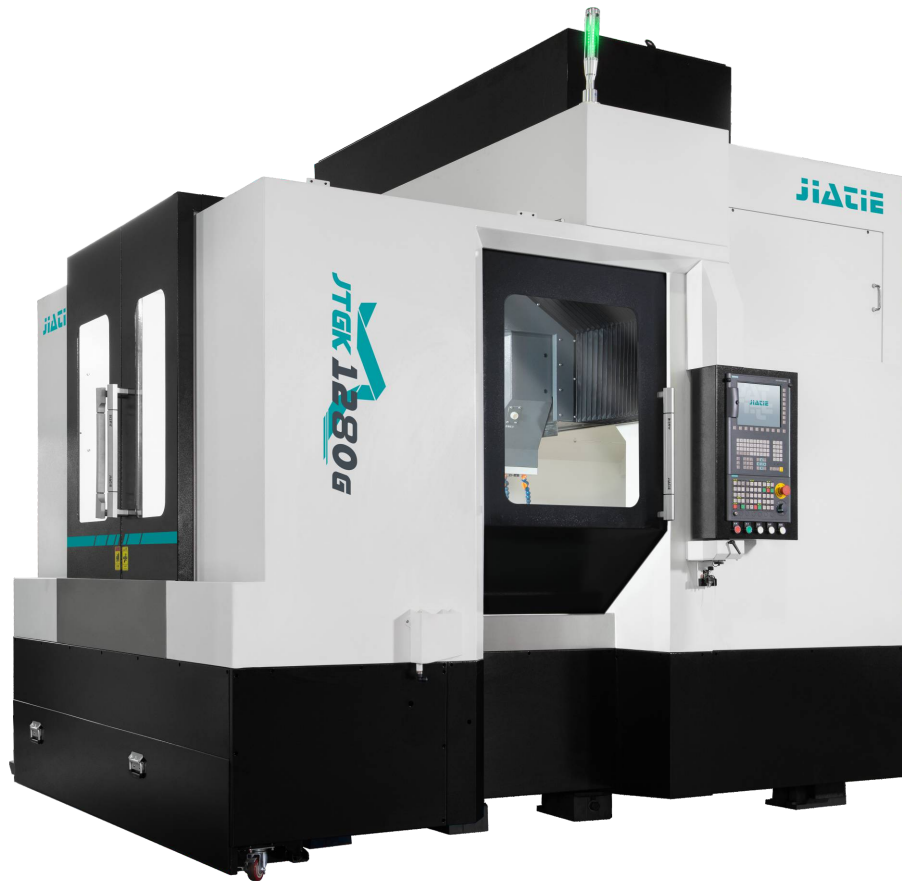
- New generation CNC controller
- JIATIE temperature control technology for precision stability
- Mature technology of vibration suppression, improve the tool life
- New structural design increases the machine rigidity. Stable and reliable
- Favorable chip removal for different machining requirements
- Many optional configurations can be selected for different functional requirements

■ For Material

special copper, aerospace aluminum, high hardness steel, quenched material, etc

■ Applied Range

mold inserting part, accurate electrode, accurate component machining



KEJIE website



KEJIE wechat

Parameters

| Item | Parameter |
|---------------------------------|---|
| X/Y/Z travel | 800/1200/500mm |
| Work table dimension | 800x1300mm |
| Max load of worktable | 1500kg |
| Spindle power/Max spindle speed | 26.8kW/20000rpm |
| Spindle interface/taper | HSK A63 |
| Rapid traverse rate | 30m/min |
| Cutting feed rate | 10m/min |
| Positioning accuracy | 0.008mm/300mm |
| Repeatability | 0.005mm |
| Machine net weight | 15000kg |
| Machine net dimension | 2740x3430x3110mm(Circular type tool magazine) 2910x3430x3110mm(Chain type tool magazine) |
| Power supply | 3-PH AC380V ±5% (50Hz) |

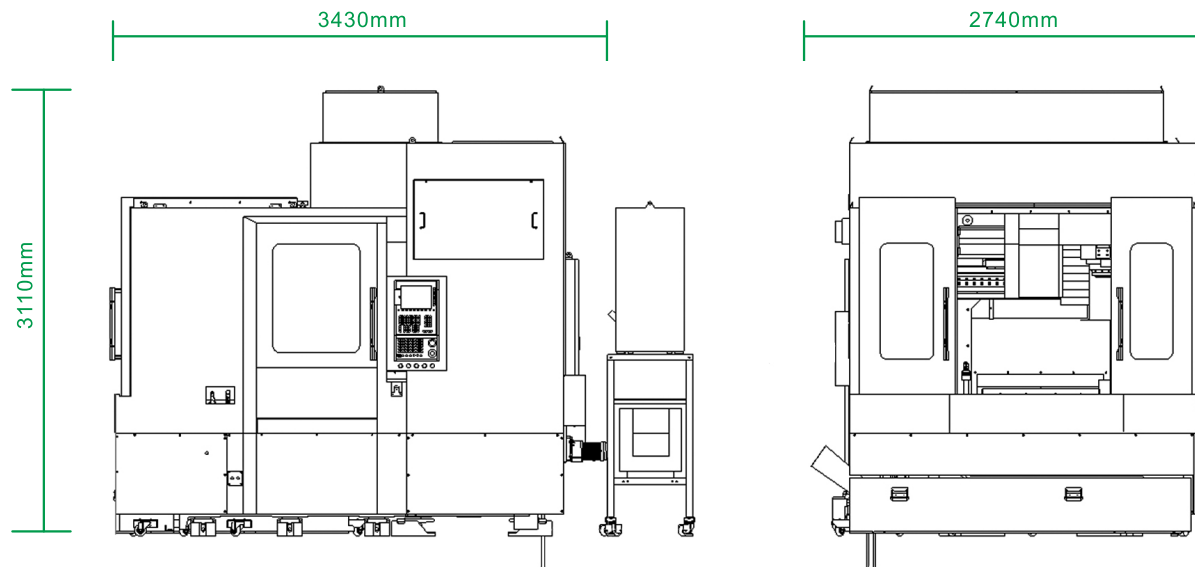
Standard Accessories

- High speed CNC controller
- High speed spindle
- AC servo motor
- Precision ball screw and guide rail
- Tool setting sensor
- Hand Wheel
- Spindle cooling system

Optional Accessories

- High accuracy package (FAGOR Nano level grating scale/Precise level cutting fluid cooling/High-speed and high-accuracy machining mode)
- Oil mist collector
- Automatic probe

Circular type tool magazine



Chain type tool magazine

