

JTGK-600i pro2 CNC Machining Center

Product descriptions and features

■ Features

- Brand new machine structure design, performance is more stable and reliable, high accuracy, fast speed and high rigidity.
- High-speed and high-accuracy spindle makes the milling machining performance especially outstanding.
- Box type Z axis structure, better dynamic performance.
- High-end all-in-one outer looking design, operation and management are more humanized, less floor area and humanized operation interface.

■ For Material

machining of high surface requirement industries such as automotive, electrode, accurate mold, etc

■ Applied Range

copper, aluminum, steel, stainless steel, etc



KEJIE website



KEJIE wechat

Parameters

Item	Parameter
X/Y/Z travel	500/600/300mm
Work table dimension	500 x650mm
Max load of worktable	300kg
Spindle power/Max spindle speed	7.2kW/24000rpm 7.5kW/30000rpm
Spindle interface/taper	BT30/BBT30
Rapid traverse rate	15m/min
Cutting feed rate	10m/min
Positioning accuracy	0.008mm/300mm
Repeatability	0.005mm
Machine net weight	3300kg
Machine net dimension	2150 x2150 x2430mm(Chain type tool magazine) 1970 x2150 x2430mm(Circular type tool magazine)
Power supply	3-PH AC380V ±5% (50Hz)

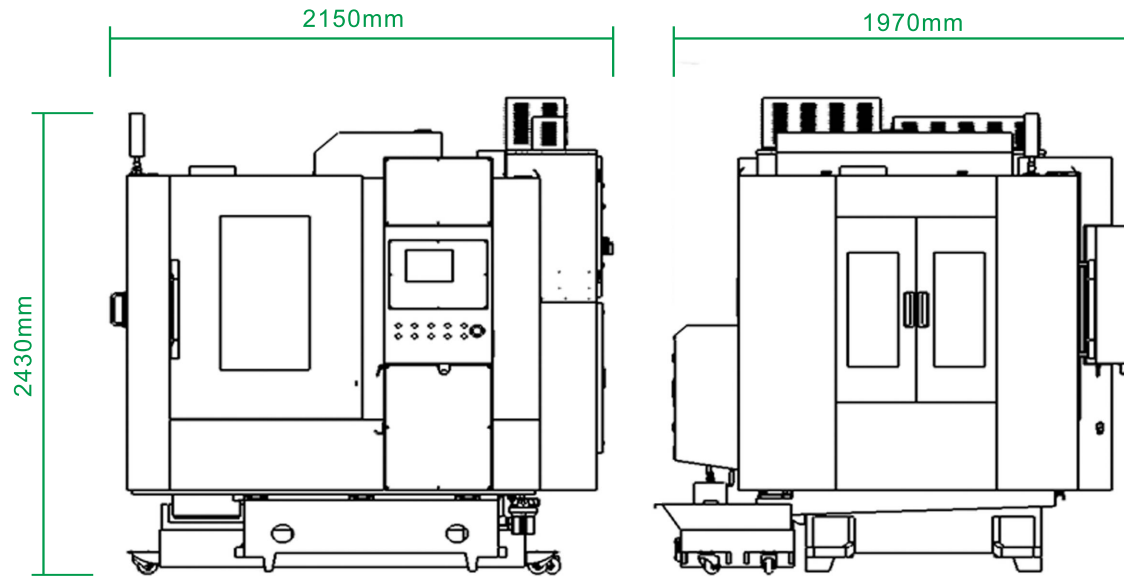
Standard Accessories

- High speed CNC controller
- High speed spindle
- AC servo motor
- Precision ball screw and guide rail
- Automatic tool magazine
- Automatic tool setter
- Spindle cooling system

Optional Accessories

- Oil mist collector
- Voltage stabilizer
- 4-axis rotary table

Circular type tool magazine



Chain type tool magazine

