

## JTGK-1280G CNC High Speed Machine

### Product descriptions and features

#### ■ Features

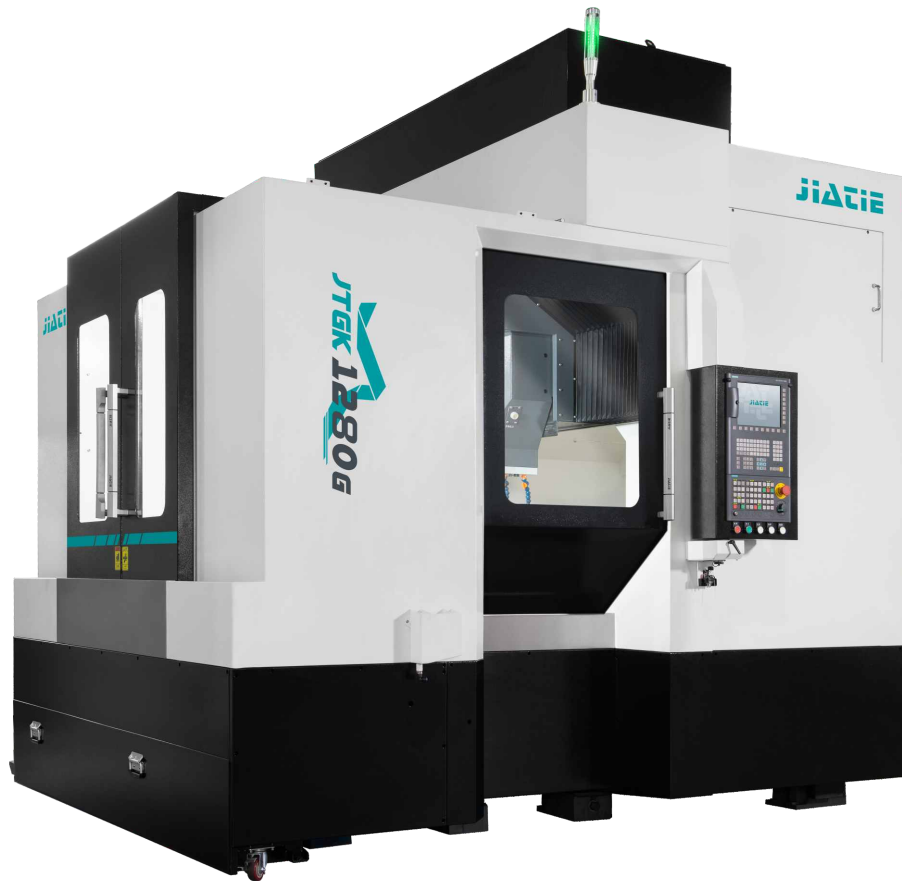
- New generation CNC controller
- JIATIE temperature control technology for precision stability
- Mature technology of vibration suppression, improve the tool life
- New structural design increases the machine rigidity. Stable and reliable
- Favorable chip removal for different machining requirements
- Many optional configurations can be selected for different functional requirements

#### ■ For Material

special copper, aerospace aluminum, high hardness steel, quenched material, etc

#### ■ Applied Range

mold inserting part, accurate electrode, accurate component machining



科杰技术网站



科杰技术公众号

## Parameters

Item	Parameter
X/Y/Z travel	800/1200/500mm
Work table dimension	800x1300mm
Max load of worktable	1500kg
Spindle power/Max spindle speed	26.8kW/20000rpm
Spindle interface/taper	HSK A63
Rapid traverse rate	30m/min
Cutting feed rate	10m/min
Positioning accuracy	0.008mm/300mm
Repeatability	0.005mm
Machine net weight	15000kg
Machine net dimension	2740x3430x3060mm (Circular type tool magazine) 2910x3430x3060mm (Chain type tool magazine)
Power supply	3-PH AC380V ±10% (50Hz)

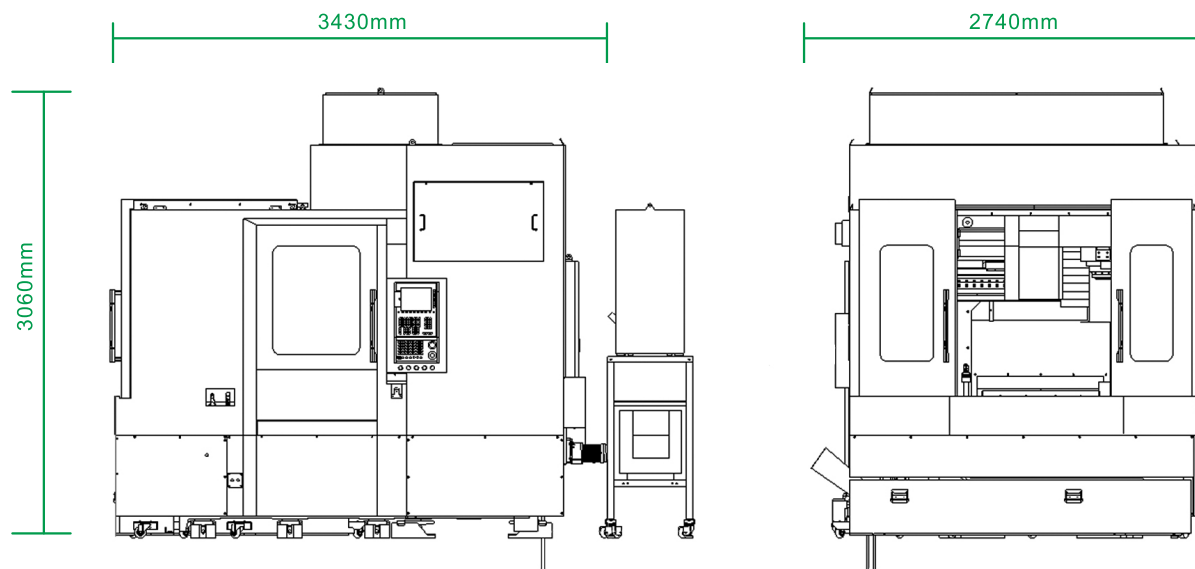
## Standard Accessories

- High speed CNC controller
- High speed spindle
- AC servo motor
- Precision ball screw and guide rail
- Tool setting sensor
- Hand Wheel
- Spindle cooling system

## Optional Accessories

- High accuracy package (FAGOR Nano level grating scale/Precise level cutting fluid cooling/High-speed and high-accuracy machining mode)
- Oil mist collector
- Automatic probe

Circular type tool magazine



Chain type tool magazine

