

JTGK-700i Graphite Machining Center

Product descriptions and features

Features

- Box-type structural design and unique damping characteristics for excellent dynamic process.
- High-speed and high-accuracy spindle makes the milling machining performance especially outstanding.
- Fully sealed protective cap and special dust collector to effectively reduce dust leakage and ensure good dust removal effect.
- Servo type fast tool magazine, fast tool change, reliable.

For Material

Graphite materials, ceramic green embryos, calcium silicate

Applied Range

High-end graphite electrode and parts processing



KEJIE website



KEJIE wechat

Parameters

Item	Parameter
X/Y/Z travel	500/700/300mm
Work table dimension	510 x700mm
Max load of worktable	300kg
Spindle power/Max spindle speed	8.2kw/24000rpm 7.2kw/24000rpm
Spindle interface/taper	BT30/BBT30
Rapid traverse rate	15m/min
Cutting feed rate	10m/min
Positioning accuracy	0.008mm/300mm
Repeatability	0.005mm
Machine net weight	5000kg
Machine net dimension	2120×2400×2350mm (Chain type tool magazine) 2080×2400×2350mm (Circular type tool magazine)
Power supply	3-PH AC380V ±10% (50Hz)

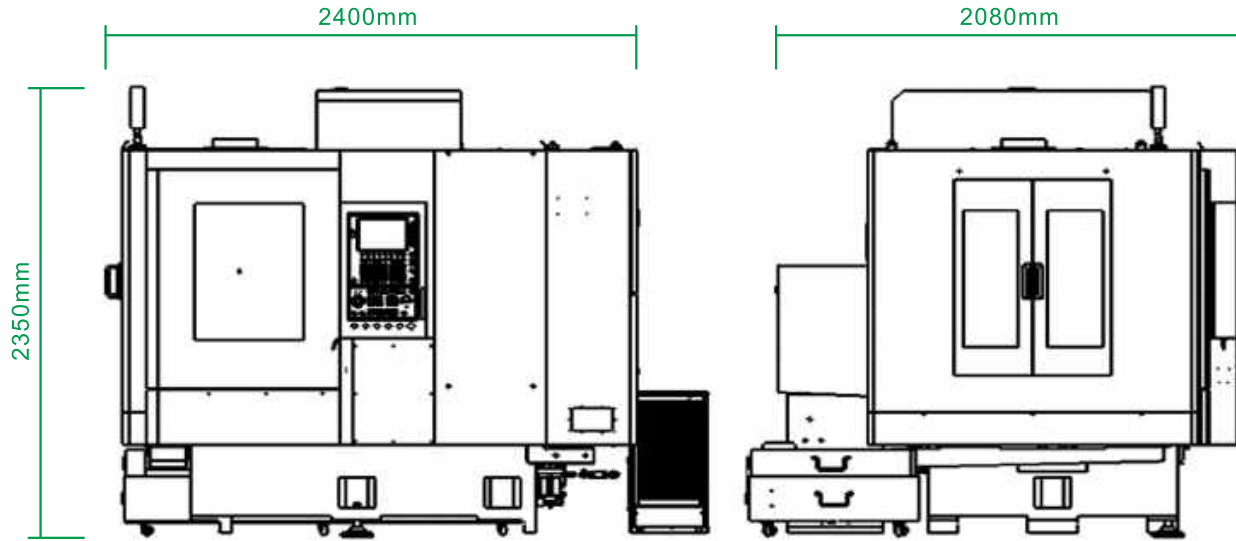
Standard Accessories

- High speed CNC controller
- High speed spindle
- AC servo motor
- Precision ball screw and guide rail
- Automatic tool magazine
- Automatic tool setter
- Spindle cooling system

Optional Accessories

- Oil mist collector
- Voltage stabilizer
- 4-axis rotary table

Circular type
tool magazine



Chain type
tool magazine

