



JTGK-600G CNC High Speed Machine

Product descriptions and features

■ Features

- New generation CNC controller
- Temperature control technology, long-term accuracy is stable
- New structure design improves machine rigidity, stable and reliable

■ For Material

special copper, aerospace aluminum, high hardness steel, quenched material, etc

■ Applied Range

mold inserting part, accurate electrode, accurate component machining



KEJIE website



KEJIE wechat

Parameters

Item	Parameter
X/Y/Z travel	600/500/300mm
Work table dimension	650 x 500mm
Max load of worktable	300kg
Spindle power/Max spindle speed	6.8kW/30000rpm 7.8kW/24000rpm
Spindle interface/taper	HSK-E40
Rapid traverse rate	15m/min
Cutting feed rate	10m/min
Positioning accuracy	0.008mm/300mm
Repeatability	0.005mm
Machine net weight	6000kg
Machine net dimension	2030×2200×2450mm (Circular type tool magazine) 2260×2200×2450mm (Chain type tool magazine)
Power supply	3-PH AC380V ±10% (50Hz)

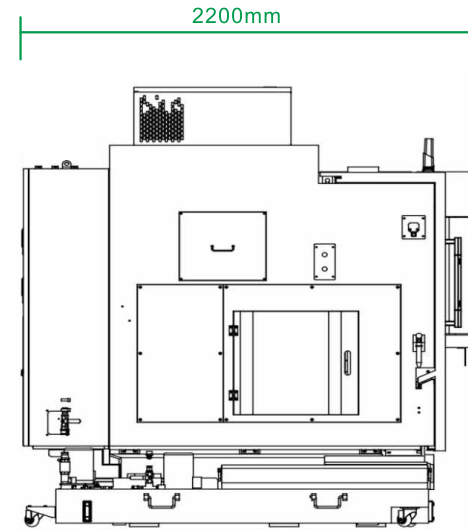
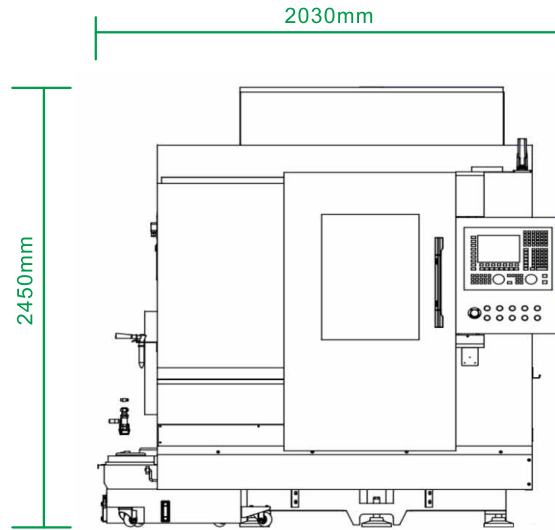
Standard Accessories

- High speed CNC controller
- High speed spindle
- AC servo motor
- Precision ball screw and guide rail
- Automatic tool magazine
- Automatic tool setter
- Spindle cooling system

Optional Accessories

- High accuracy package (FAGOR Nano level grating scale/Precise level cutting fluid cooling/High-speed and high-accuracy machining mode)
- NC system (JIATIE JT810/SIEMENS 828D)
- 4-axis rotary table
- Oil mist collector
- Laser tool setter
- Wireless probe

Circular type tool magazine



Chain type tool magazine

