

JTGK-500H CNC Machining Center

Product descriptions and features

■ Features

- New generation of CNC control system
- High-efficiency and high-accuracy machining
- Excellent human-machine interaction interface, simple operation
- Excellent metal machining performance
- Good anti-vibration performance
- Automatic cleaning function, makes machine cleaning easier.

■ For Material

copper, aluminum, steel, stainless steel, etc

■ Applied Range

machining of high surface requirement industries such as automotive, electrode, accurate mold, etc



KEJIE website



KEJIE wechat

Parameters

Item	Parameter
X/Y/Z travel	500/400/200mm
Work table dimension	500 x400mm
Max load of worktable	200kg
Spindle power/Max spindle speed	5.5kW/32000rpm
Spindle interface/taper	HSK E32
Rapid traverse rate	15m/min
Cutting feed rate	10m/min
Positioning accuracy	0.008mm/300mm
Repeatability	0.005mm
Machine net weight	3500kg(Circular type tool magazine) 4000kg(Chain type tool magazine)
Machine net dimension	1850×2000×2300mm (Circular type tool magazine) 2200×2000×2300mm (Chain type tool magazine)
Power supply	3-PH AC380V ±10% (50Hz)

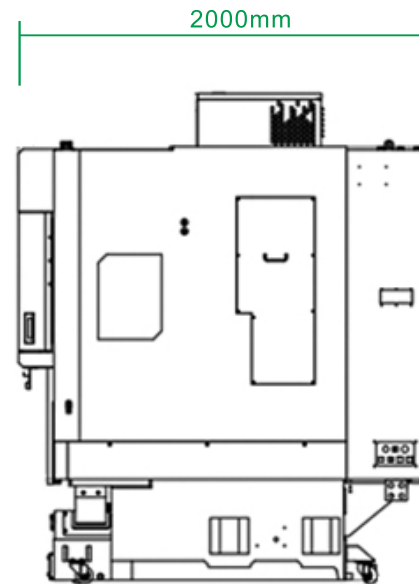
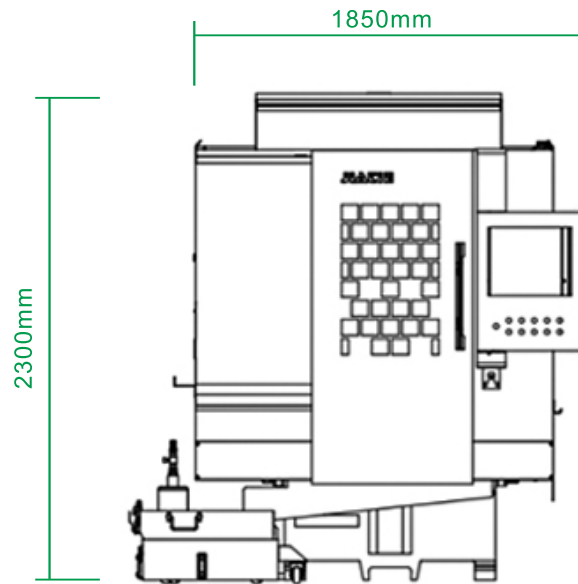
Standard Accessories

- High speed CNC controller
- Precision ball screw and guide rail
- AC servo motor
- High speed spindle
- Automatic tool magazine
- Spindle cooling system
- Automatic tool setter

Optional Accessories

- High accuracy package (FAGOR Nano level grating scale/Precise level cutting fluid cooling/High-speed and high-accuracy machining mode)
- 4-axis rotary table
- Oil mist collector
- Voltage stabilizer

Circular type tool magazine



Chain type tool magazine

